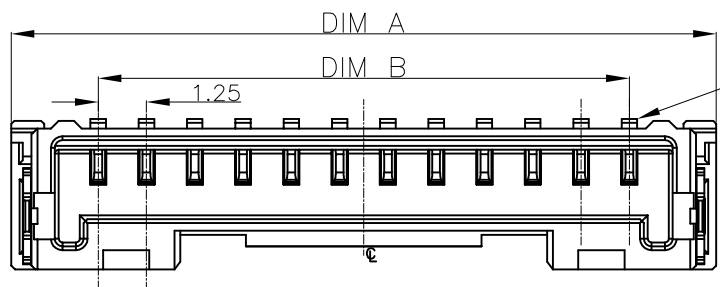


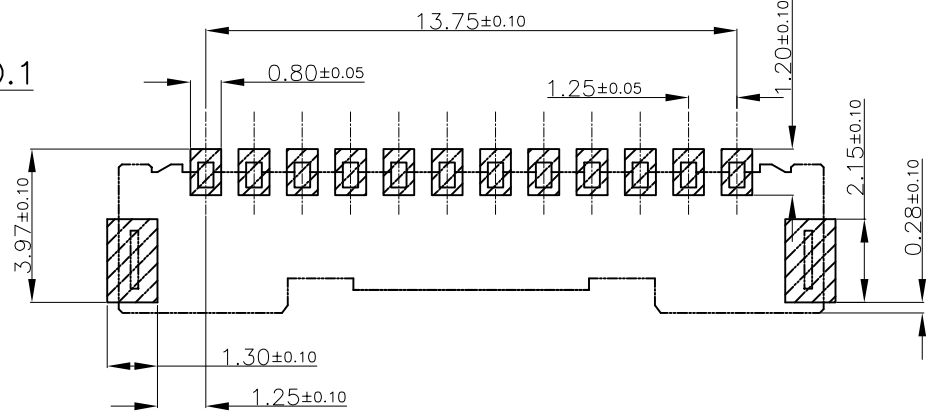


A B C D E F G H I J

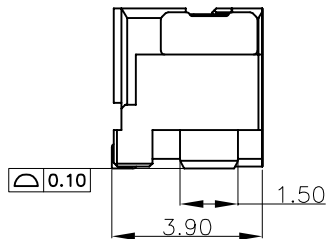
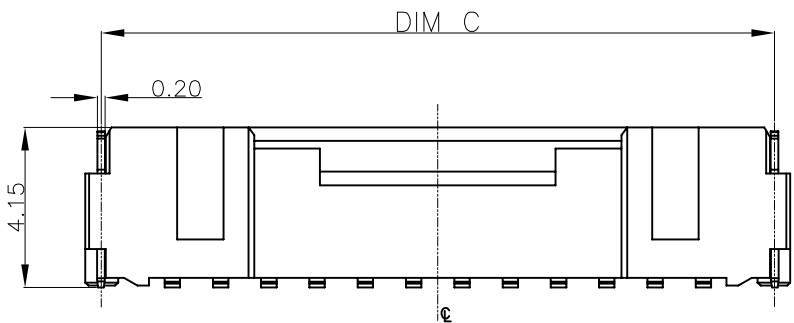
1



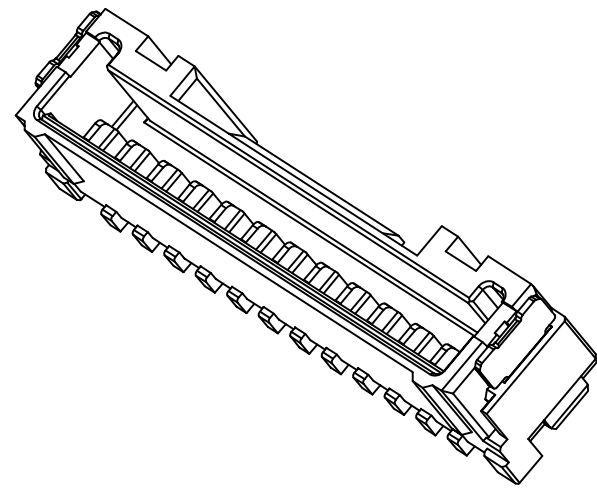
CKT. NO.1



2



3

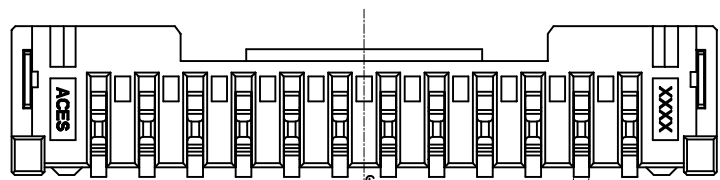


4

NOTES:

- 1. MATERIAL:
 - 1.1 HOUSING: THERMOPLASTIC, HIGH TEMP., UL94V-0; COLOR:WHITE.
 - 1.2 CONTACT: COPPER ALLOY
 - 1.3 FITTING NAIL: COPPER ALLOY
- 2. FINISH:
 - 2.1 CONTACT: 50u" MIN NICKEL UNDERPLATING OVERALL. N:50u"MIN MATTE TIN PLATING
- 3. SPEC. PLS. REFER TO PS-51335-xxxxx-xxx
- 4. PACKAGE PLS. REFER TO 51359-xxxxx-xx-TRP
- 5. PART NUMBER 51359-XXX X X-XXX

5



NO OF CKT
0:TAPE & REEL

XXX	Material&Color
001	HF&White

PLATING
N:MATTE TIN

6

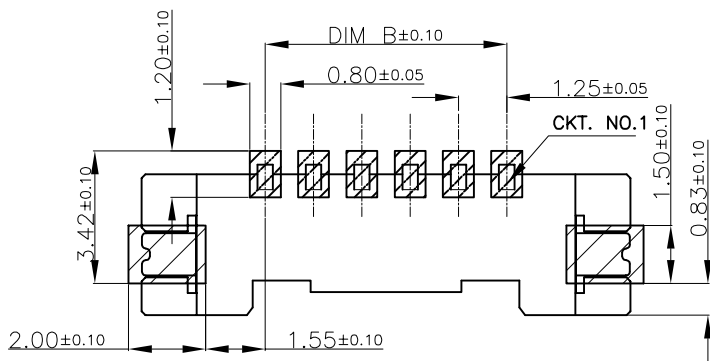
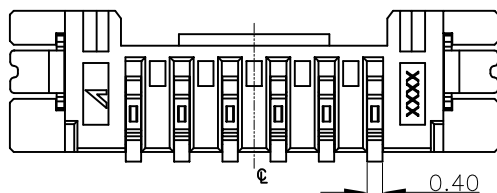
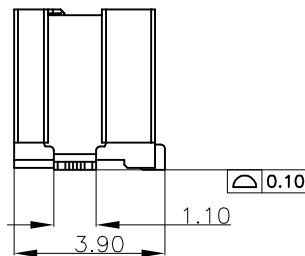
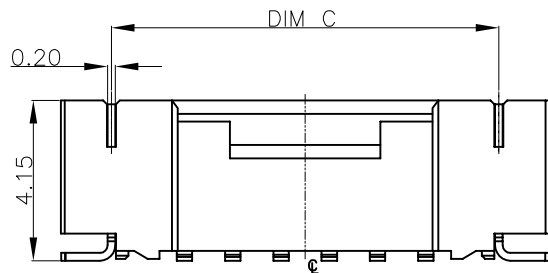
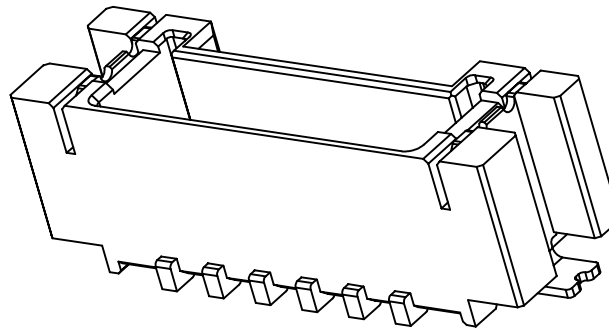
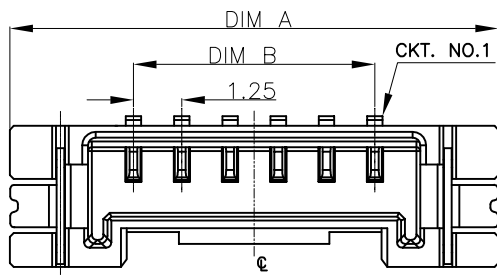
QUALITY SYMBOLS MAJOR Ⓢ CRITICAL Ⓢ GENERAL TOLERANCES (UNLESS SPECIFIED) X. ±0.5 .X ±0.25 .XX ±0.15 .XXX ±0.1 ANGLES ±2°	DRAWN BY YanJinXiu CHECKED BY BRAVE APPROVED BY BRAVE	DATE 21/06/30 DATE 21/06/30 DATE 21/06/30	 ACES ELECTRONICS TITLE 1.25mm PITCH WTB CONN. SMT S/T S/R TYPE
	UNITS mm SCALE 5:1	 SHEET NO. 1 OF 3	

2019.09.02_REV.15

B C D E F G H I J

CKT	Dim A	Dim B	Dim C
012	18.25	13.75	17.43

7



RECOMMEND PCB LAYOUT (TOP VIEW)
GENERAL TOLERANCE±0.05

NOTES:

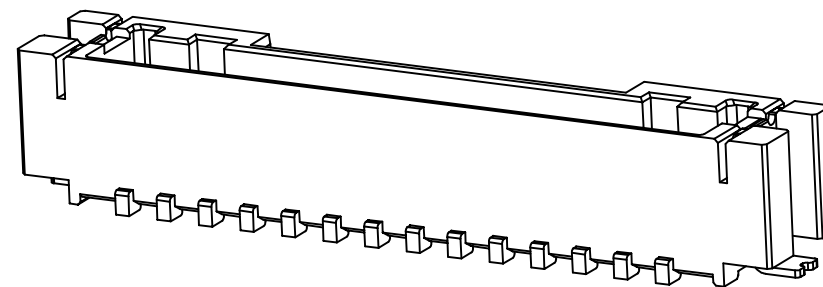
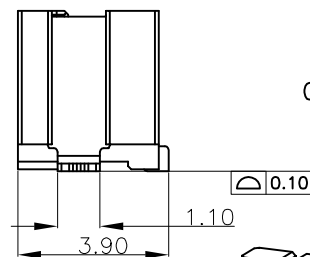
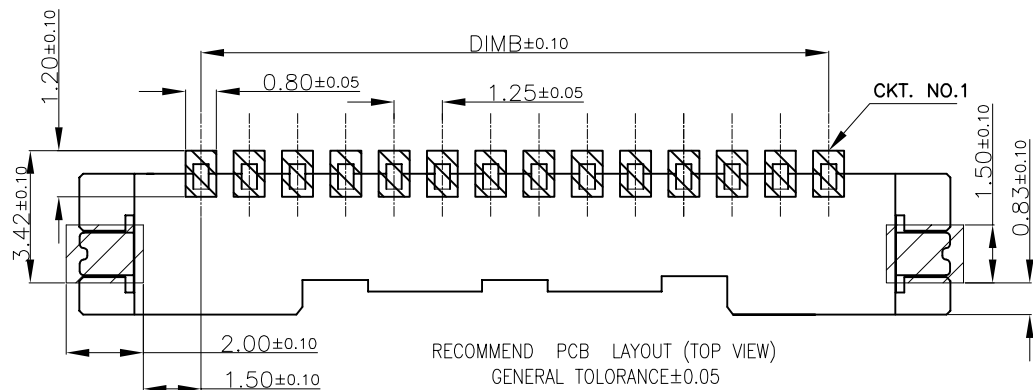
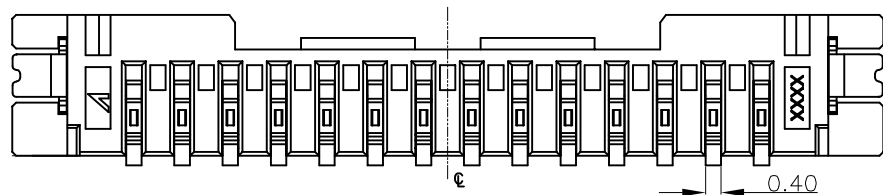
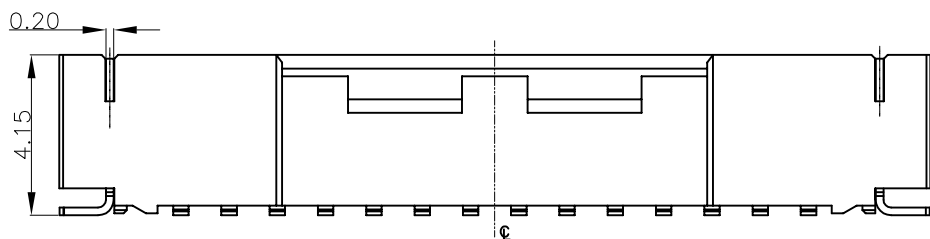
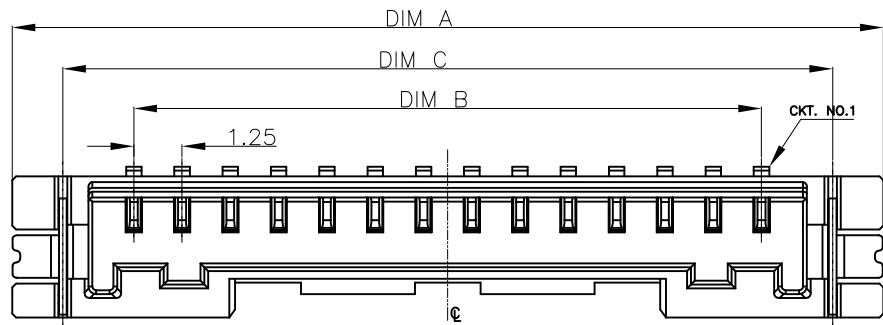
1. MATERIAL:
 - 1.1 HOUSING: THERMOPLASTIC, HIGH TEMP., UL94V-0; COLOR:WHITE.
 - 1.2 CONTACT: COPPER ALLOY
 - 1.3 FITTING NAIL: COPPER ALLOY
2. FINISH:
 - 2.1 CONTACT: 50u" MIN NICKEL UNDERPLATING OVERALL. N:50u"MIN MATTE TIN PLATING
 - 2.2 FITTING NAIL: 50u" MIN NICKEL UNDERPLATING OVERALL. N:50u"MIN MATTE TIN PLATING
3. SPEC. PLS. REFER TO PS-51335-xxxxx-xxx
4. PACKAGE PLS. REFER TO 51359-xxxxx-xx-TRP
5. PART NUMBER

51359-XXX X X-XXX

NO OF CKT: 002:FOR L-SHAPED FITTING TAIL
PACKING: O:TAPE & REEL
PLATING: N:MATTE TIN

CKT	Dim A	Dim B	DimC
006	12.65	6.25	10.03

QUALITY SYMBOLS MAJOR Ⓢ CRITICAL Ⓢ GENERAL TOLERANCES (UNLESS SPECIFIED) X. ±0.5 .X ±0.25 .XX ±0.15 .XXX ±0.1 ANGLES ±2°	DRAWN BY YanJinXiu	DATE '21/06/30	
	CHECKED BY BRAVE	DATE '21/06/30	
	UNITS mm		RFG NO. N/A
	SCALE 5:1	SHEET NO. 2 OF 3	REV A DWG NO. 51359-XXXXX-XXX



NOTES:

1. MATERIAL:
 - 1.1 HOUSING: THERMOPLASTIC, HIGH TEMP., UL94V-0; COLOR:WHITE.
 - 1.2 CONTACT: COPPER ALLOY
 - 1.3 FITTING NAIL: COPPER ALLOY
2. FINISH:
 - 2.1 CONTACT:
 - 50u" MIN NICKEL UNDERPLATING OVERALL.
 - N:50u"MIN MATTE TIN PLATING
 - 2.2 FITTING NAIL:
 - 50u" MIN NICKEL UNDERPLATING OVERALL.
 - N:50u"MIN MATTE TIN PLATING
3. SPEC. PLS. REFER TO PS-51335-xxxx-xxx
4. PACKAGE PLS. REFER TO 51359-xxxx-xx-TRP
5. PART NUMBER
 - 51359-XXX X X-XXX

NO OF CKT → 002:FOR L-SHAPED FITTING NAIL

PACKING → PLATING

0:TAPE & REEL N:MATTE TIN

CKT	Dim A	Dim B	DimC
014	22.55	16.25	19.93

QUALITY SYMBOLS MAJOR Ⓢ CRITICAL Ⓢ GENERAL TOLERANCES (UNLESS SPECIFIED) X. ±0.5 .X ±0.25 .XX ±0.15 .XXX ±0.1 ANGLES ±2°	DRAWN BY YanJinXiu	DATE 21/06/30	
	CHECKED BY BRAVE	DATE 21/06/30	
	APPROVED BY BRAVE	DATE 21/06/30	RFG NO. N/A
	UNITS mm		SIZE A
	SCALE 5:1	SHEET NO. 3 OF 3	REV A
			DWG NO. 51359-XXXXX-XXX